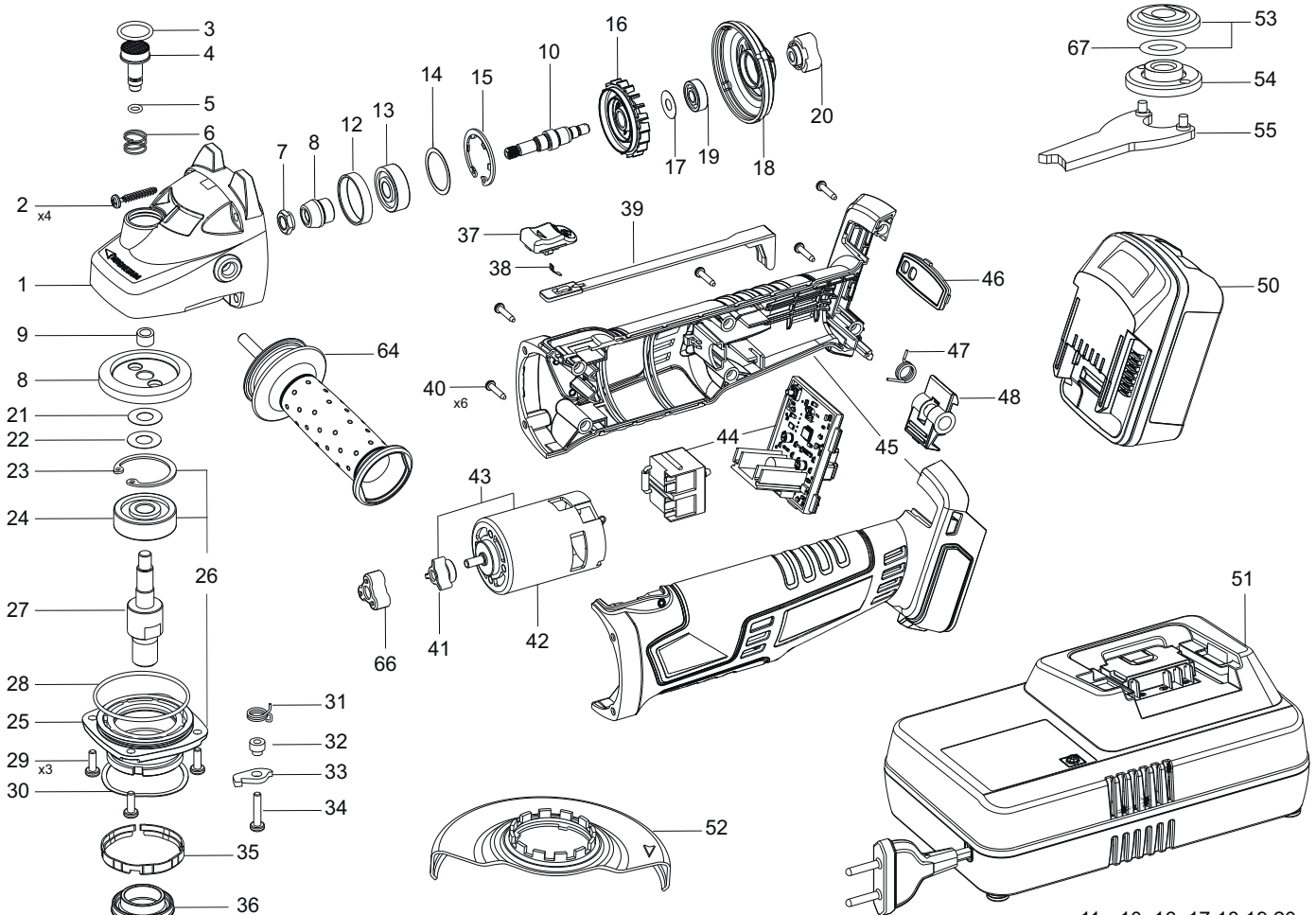


POS. No.	Ref.No.	Description	POS. No.	Ref.No.	Description
1	145783	Gear box HD	30	177346	Spring
2	361468	Screw K4x22 TORX 20	31	142830	Spring
3	330335	O-ring 16X2B	32	177344	Bush
4	145789	Lock button	33	146755	Lock lever
5	330704	O-ring 5x1,5 NBR 70	34	361189	Screw H2-M4X20
6	115165	Spring	35	142061	Circlip S
7	152767	Nut M 7x1	36	147939	Labyrinth Washer
8	146760	Gear set l=1.952	37	157301	Button
9	933756	Bearing HK0709	38	157990	Spring
10	142771	Shaft	39	142624	Guiding switch lever
11	142784	Shaft set	40	361303	Screw
12	156478	Rubber bush	41	142626	Rivet 2
13	331437	Bearing 629 2RSL P63 LDS 18SpA	42	142786	Motor MABUCHI RT-8B7WA
14	156480	Inner Flange	43	142789	Motor set
15	154796	Circlip SPARKY 30	44	142790	PCB+switch set
16	142629	Fan	45	142773	Casing set SPARKY
17	154261	Oil - churning bush	46	148362	Screen BUR2 15/18Li HD
18	142628	Shield - Diffuser	47	142775	Spring
19	331233	Bearing 607 2RSL P63 LDS18SpA	48	142685	Lock button
20	142625	Rivet 1	50	148363	Battery pack ass'y BL 1840
21	117798	Spacer washer	51	148367	Charger.ass'y/EU (12-18V/1,5-3Ah)Li
22	117799	Spacer washer	52	146759	Guard Φ125 T20/HD/1,5
23	330732	Circlip A35-1D	53	144108	Collar
24	331669	Bearing 6202-2RSL (15x35x11)	54	121838	Locking nut
25	145785	Bearing bed HD	55	154268	Spanner 173 set
26	145786	Bearing bed set HD	64	146375	Handle AVR M8/L10
27	117788	Spindle	66	142627	Rivet
28	330847	O-ring 48x2.0 NBR 70	67	331842	O-ring 20.35x1.78
29	361131	Screw H2-M4x12			



11 - 10, 16, 17,18,19,20